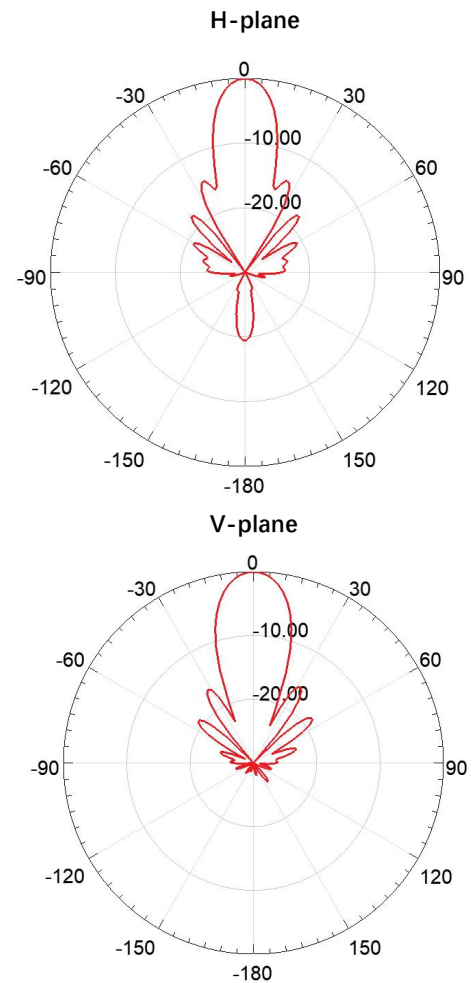


1710-2200/2200-2690 8-Port Single Beam Lens Antenna

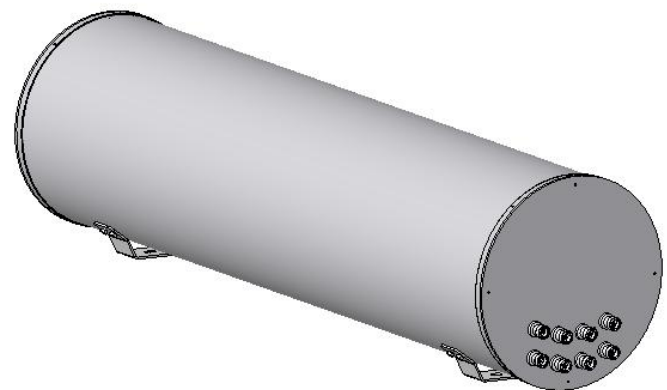
Electrical Specifications

Product Name	8-Port Single Beam Lens Antenna
Model	EHS3AZA181
Frequency (MHz)	1710-2200/2200-2690
Number of Port	8
Gain (dBi)	15.5±1/16.5±1
Number of Beam	1
Horizontal Beam Pointing(°)	0
Horizontal 3dB Beam width (°)	28±4/23±3
Horizontal 10dB Beam width (°)	47±5/39±4
Vertical 3dB Beam width (°)	26±4/23±3
Vertical 10dB Beam width (°)	46±5/39±4
Beam Crossing (dB)	/
Horizontal Coverage(°)	60
Upper Sidelobe Suppression	-13
Front to Back Ratio (dB)	25
Polarization (°)	±45
Isolation of Polarized Ports (dB)	≥25
Isolation of Beam Ports (dB)	/
VSWR	≤1.5
Input Impedance (Ω)	50
Power Rating (W)	8×180
Intermodulation IM3 (dBm, 2×43dBm)	≤-107



Mechanical Specifications

Mechanical Down-Tilt (°)	0~14
Antenna Dimension (mm)	1534×400×400
Packaging Dimension (mm)	1800×515×515
Net Weight (Kg)	19
Gross Weight (Kg)	30
Clip Weight (Kg)	5.8
Connector	8*7/16DIN-Female
Mounting Pole Diameter (mm)	φ 50-114
Radome Material	UPVC
Rated Wind Velocity (m/s)	55
Operating Temperature (°C)	-40~+7
Operating Humidity	5%~95%
Lighting Protection	DC Ground



Schematic diagram of antenna